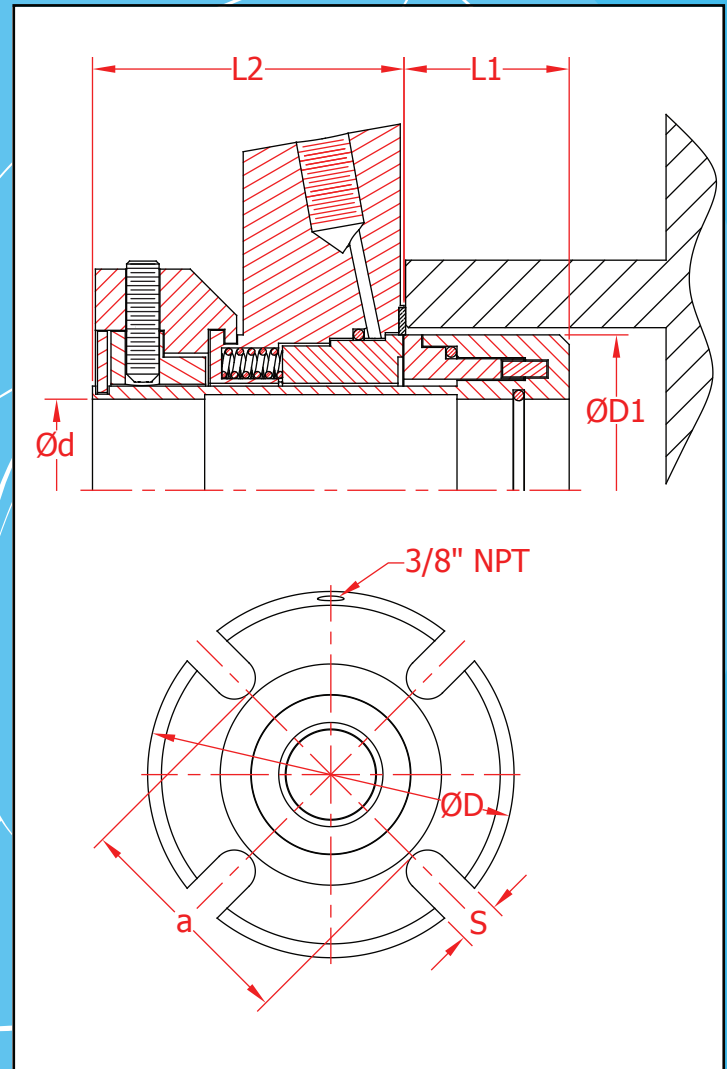


SEALFLO®

SINGLE CARTRIDGE SEAL



Technical Features:

- Single cartridge seal
- Balanced
- Stationary multiple spring design
- Springs isolated from media
- Floating faces
- Quench ports available upon request

Operating Limits:

- Sizes From = 1.000 - 4.000"
- Max Pressure = 290 PSI
- Temperature = -31°F to 320°F
- Velocity = 98 Ft/sec

Materials

- Rotary faces: carbon graphite, silicon carbide, tungsten carbide
- Stationary seats: silicon carbide, tungsten carbide
- O-rings: EPDM, FPM, FEPM, HNBR
- Springs: AISI 316, alloys
- Other material components AISI 304, 316

d	D	D1	L1	L2	a	S
1.000	4.134	1.693	0.969	1.669	2.441	0.520
1.125	4.134	1.713	0.969	1.669	2.559	0.520
1.250	4.252	1.961	0.969	1.669	2.756	0.520
1.375	4.449	1.961	0.969	1.669	2.835	0.520
1.500	4.843	2.205	0.969	1.669	2.953	0.520
1.625	4.843	2.339	0.969	1.669	3.091	0.559
1.750	5.433	2.461	0.969	1.669	3.228	0.559
1.875	5.433	2.583	0.969	1.669	3.346	0.598
2.000	5.827	2.677	0.969	1.669	3.425	0.598
2.125	5.827	2.835	0.969	1.669	3.819	0.709
2.250	6.181	2.961	0.969	1.669	3.937	0.709
2.375	6.181	3.071	0.969	1.669	4.016	0.709
2.500	6.417	3.213	0.969	1.669	4.173	0.709
2.625	6.417	3.339	0.969	1.669	4.291	0.709
2.750	7.008	3.661	0.969	1.669	4.646	0.709
2.875	7.283	3.811	1.047	2.260	4.961	0.709
3.000	7.480	3.937	1.047	2.260	5.079	0.709
3.125	7.677	4.063	1.047	2.260	5.197	0.709
3.250	7.677	4.189	1.047	2.260	5.315	0.709
3.375	7.795	4.311	1.047	2.260	5.472	0.866
3.500	7.795	4.437	1.047	2.260	5.591	0.866
3.625	8.071	4.563	1.047	2.260	5.709	0.866
3.750	8.189	4.689	1.047	2.260	5.827	0.866
4.000	8.583	4.937	1.047	2.260	6.063	0.866