

**SUMMIT**™

**VV95**

VV95



**Internal  
Gear Pump**



**SUMMIT**™  
**PUMP, Inc**

[www.SUMMITPUMP.com](http://www.SUMMITPUMP.com)

© 2017 SUMMIT PUMP, Inc

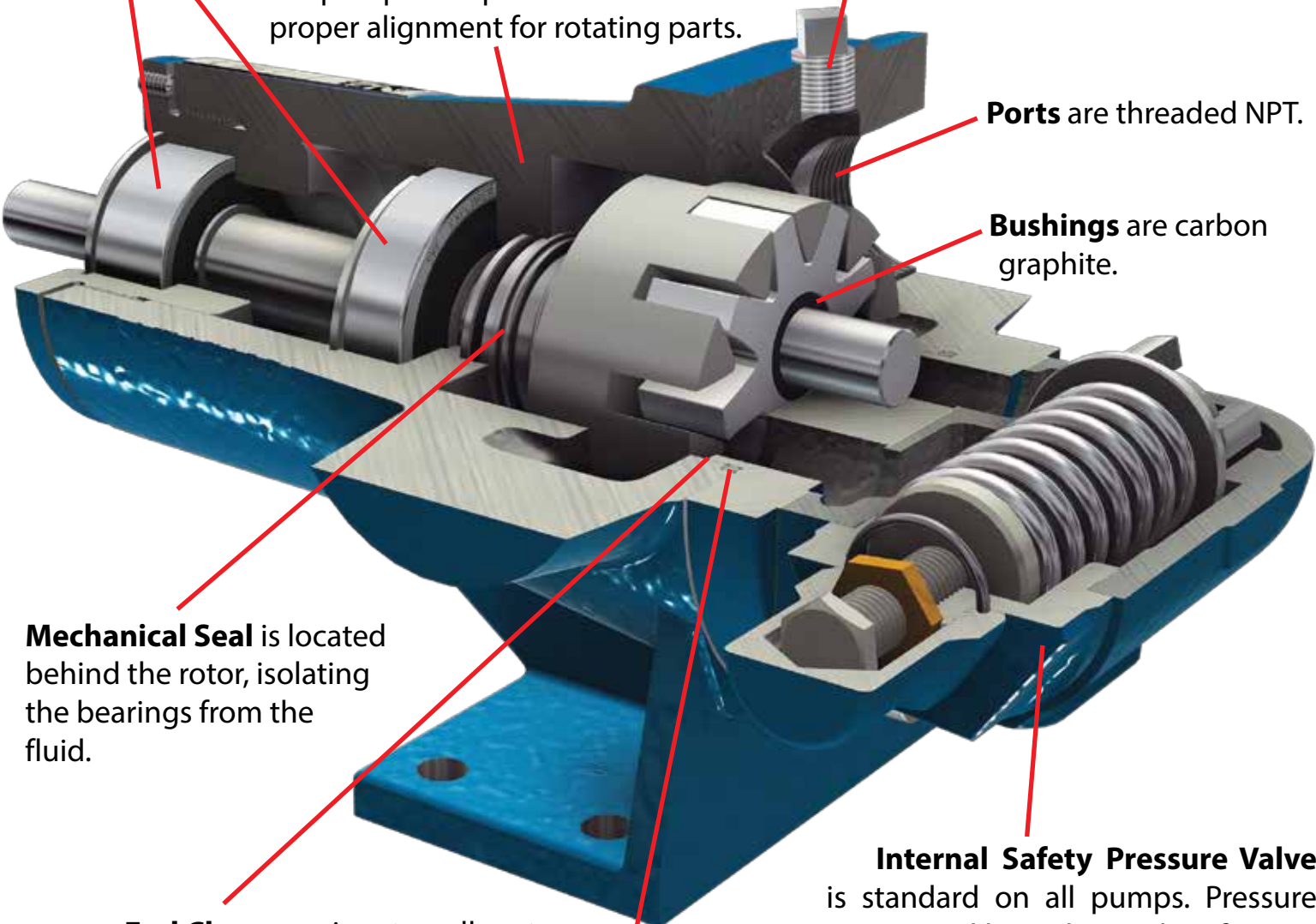
**Bearings** are lubricated and sealed, meaning no maintenance time spent lubricating.

**Casing** encompasses the majority of the pump's components. This ensures proper alignment for rotating parts.

**Gauge Ports** are pre-tapped to accommodate suction and discharge gauges.

**Ports** are threaded NPT.

**Bushings** are carbon graphite.



**Mechanical Seal** is located behind the rotor, isolating the bearings from the fluid.

**End Clearance** is externally set by rotating the bearing housing.

**Internal Safety Pressure Valve** is standard on all pumps. Pressure setting is calibrated at the factory. Adjustment bolt must always point towards the suction side of the pump. It is not recommended to adjust the pressure setting.

**O-Rings** are utilized for maximum sealing, especially useful for thinner fluids.

## FEATURES & BENEFITS

**Internal gear pumps** offer a wide range of benefits. Although, they are not meant to handle solids, they are a good option for **abrasive applications**.



The VV95 Pump is designed for **higher operating speeds**, which eliminates the gear drives or VFD (variable frequency drive). This means lower costs and less maintenance.

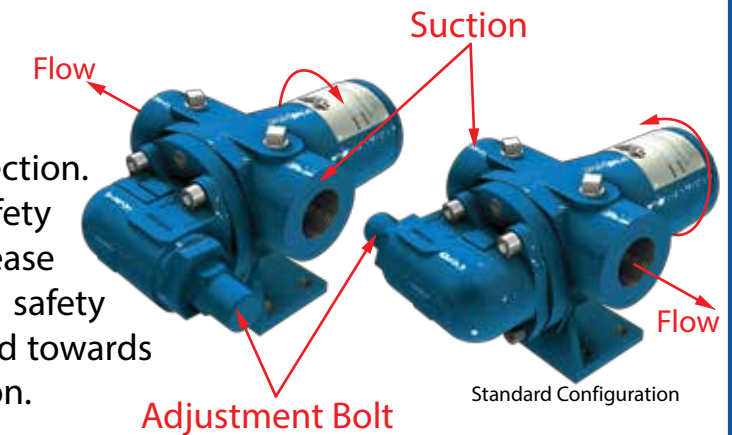
The VV95HL and VV95HJ, VV95AK and VV95AS, respectively, have the capability to swap internal parts to **adjust maximum flow rates**. This feature allows for **maximum adaptability** without the cost of a new pump.

The VV95 Pump is equipped to handle **lower viscosity fluids**, by utilizing O-rings for sealing and the ability to handle **higher operating speeds**.

**180 degree porting** allows for simple installation and reduction with line losses. VV95 Pumps utilize lubricated sealed bearings, which are designed and positioned to handle **pressures to 250 PSI**.

## CONFIGURABILITY

VV95 has the ability to operate in either direction. Consideration must be given to the internal safety relief valve or the system's pressure release mechanism. When equipped with an internal safety relief valve, the **adjustment bolt** must be pointed towards the **suction** side of the pump for proper operation.



## PERFORMANCE DATA



Model VV95GG Shown

Standard Material - Cast Iron Pumps							
Size		VV95GG	VV95HJ	VV95HL	VV95AS	VV95AK	VV95AL
GPM	Nominal: 100 SSU & 25 PSI	10	20	30	55	85	115
RPM		1750	1750	1750	1750	1750	1750
Differential Max PSI		250	250	250	250	250	250
Port Sizes (NPT)		1 in	1.5 in	1.5 in	2.5 in	2.5 in	3 in
Appx. Shipping Weight		20	44	44	85	85	86

Contact your local Summit Pump Distributor for further performance data

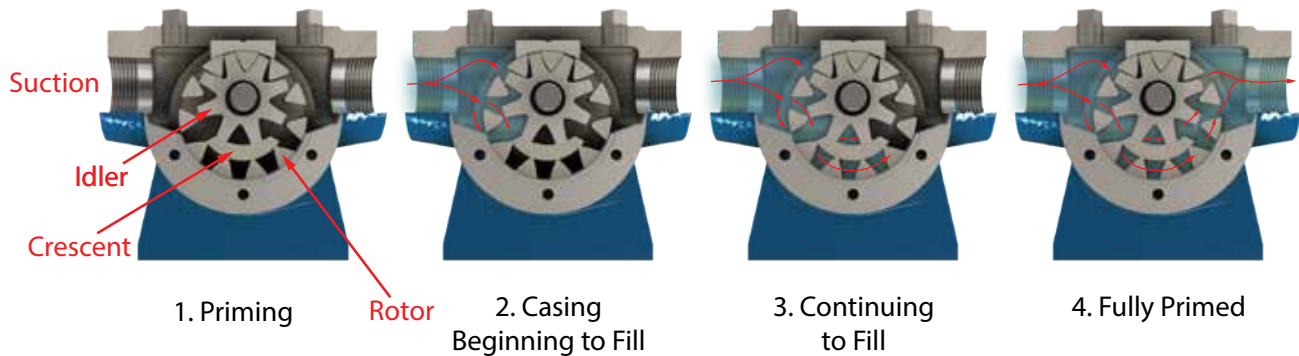


**SUMMIT™ PUMP, Inc**

www.SUMMITPUMP.com

## DESIGN PRINCIPAL

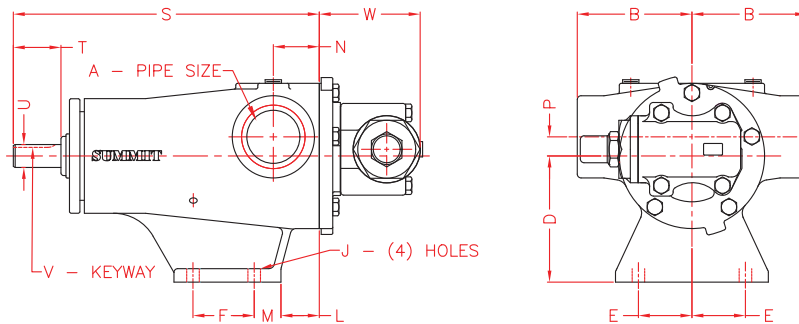
The VV95 series is a positive displacement internal gear type pump. The outer gear (rotor) is driven which turns the inner gear (idler) with its centerline offset from the rotor. This generates expanding volume near the suction port and contracting volume near the discharge, expelling the pumped product.



## DIMENSIONS

Use Drawing for Models:

**VV95GG**  
**VV95HJ**  
**VV95HL**



Nomenclature Fields					Reference Dimensions (inches)																			
1 & 2	3	4	5	A	B	D	E	F	G	H	J	K	L	M	N	O	P	S	T	U	V	W	X	Y
VV95GG	2F, 2B, 9G	C	C,B	1.0" NPT	2.75	2.75	1.62	1.31	4.00	2.44	0.34	0.94	0.03	0.66	1.12	0.31	0.62	7.31	1.12	0.50	FLAT	2.66	0.38	-
VV95HJ	2F, 2B, 9G	C	C,B	1.5" NPT	3.75	4.12	1.75	2.00	5.00	3.50	0.41	1.50	1.25	0.88	1.50	0.44	0.62	10.00	1.62	0.750	0.19 x 0.09	3.28	0.75	-
VV95HL	2F, 2B, 9G	C	C,B																					
V95AS	2F, 2B, 9G	C	C,B	2.5" NPT	5.00	5.25	2.88	2.00	6.75	4.00	0.41	2.25	1.25	1.00	2.00	0.44	1.12	12.12	2.50	1.000	0.25 x 0.12	7.00	0.50	1.00
VV95AK	2F, 2B, 9G	C	C,B																					
VV95AL	2F, 2B, 9G	C	C,B	3" NPT									1.75		2.25									

Use Drawing for Models:

**VV95AS**  
**VV95AK**  
**VV95AL**

